







Can I compare objects?

Write the number of cherries next to each child. Then order the numbers from the greatest to the smallest.



  
 Teddy



  
 Rosie



  
 Dora

Greatest

Smallest

\_\_\_\_\_

\_\_\_\_\_

\_\_\_\_\_

Write the numbers next to the pictures. Then order the numbers by looking at the labels.








Smallest → Greatest      Greatest → Smallest

\_\_\_\_\_

\_\_\_\_\_

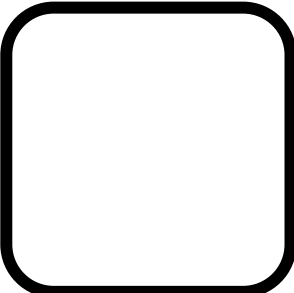
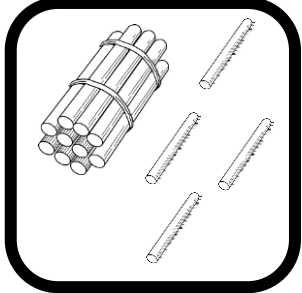
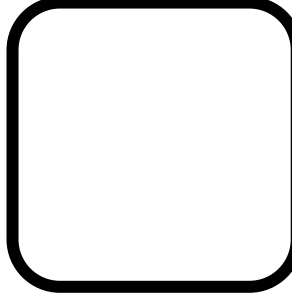
\_\_\_\_\_

\_\_\_\_\_

\_\_\_\_\_

\_\_\_\_\_

Draw counters in the boxes to complete the pattern.

Greatest → Smallest

Alex orders these from smallest to the greatest. There are crayons, sweets, apples and chew bars. Is he right? Write the labels in the order you think is correct.






Smallest      Greatest

\_\_\_\_\_

\_\_\_\_\_

\_\_\_\_\_

\_\_\_\_\_